



Quote #Q1 - Revision #Rev1

Date created: June 29, 2020

Customer details

John Doe

1 Bond St
6022 Wellington

Email: john@doe.net

Mobile:

A1 Windows

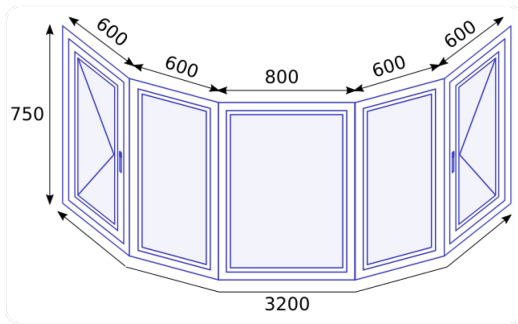
200 Park Road
6022 Wellington

Website: <https://www.a1-windows.com>
Phone: 01 234567

Your sales rep: John Smith
Mobile number: 027 456 789
Email: john.smith@a1-windows.com

<p>Quote number: Q1</p> <p>Revision number: Rev1</p> <p>Last modified: 29/06/2020</p> <p>Quote valid until: 29/07/2020</p> <p>Total quoted price (incl. GST): NZD 11,556.75</p> <p>Installation: Included</p>	<p>Notes:</p>
---	----------------------

1 - Living Room :: Bow Window 2-Sash 3-Fixed



Quoted price (incl. GST): **NZD 3,846.61**

Glass: PILK-100 4mm-4mm toughened

Hardware: URBO Handle (x2)

Finish: DURATEC MT10

Reveals: None

Flashing: Flashing 60mm Steel

Insulation: Low-E Max

Stays: ST-URBO-36 (x2)

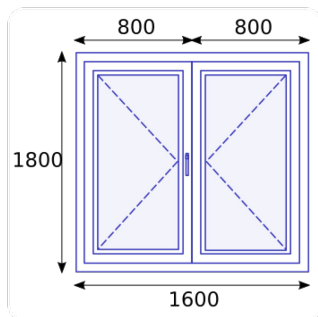
Material: PVC

Wind load: Medium

WANZ Installation Method: WANZ support bar 55mm

Notes:

2 - Living Room :: French Door 2-Leaves



Quoted price (incl. GST): **NZD 3,974.00**

Glass: PILK-100 4mm-4mm toughened

Hardware: URBO Handle (x1)

Finish: DURATEC MT10

Reveals: MC-60

Flashing: Flashing 60mm Steel

Insulation: Low-E Max

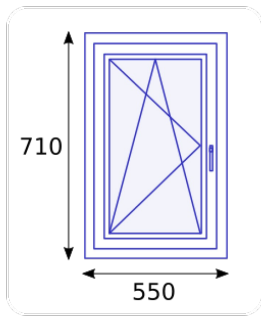
Material: PVC

Wind load: Medium

WANZ Installation Method: WANZ support bar 40mm

Notes:

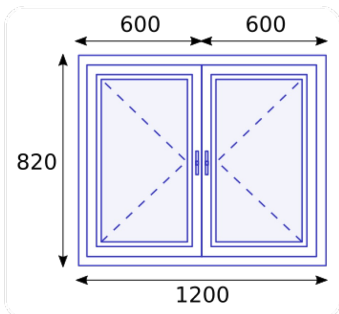
3 - Bedroom 1 :: Tilt & Turn Window 1-Sash Vertical



Quoted price (incl. GST): **NZD 1,496.50**

<p>Glass: PILK-100 4mm-4mm toughened</p> <p>Hardware: URBO Handle (x1)</p> <p>Finish: DURATEC MT10</p> <p>Reveals: MC-60</p> <p>Flashing: Flashing 60mm Steel</p> <p>Insulation: Low-E Max</p>	<p>Material: PVC</p> <p>Wind load: Medium</p> <p>WANZ Installation Method: WANZ support bar 30mm</p> <p>Notes:</p>
--	--

4 - Bedroom 2 :: Hinged Window 2-Sash Horizontal



Quoted price (incl. GST): **NZD 2,239.65**

<p>Glass: PILK-100 4mm-4mm toughened</p> <p>Hardware: URBO Handle (x2)</p> <p>Finish: DURATEC MT10</p> <p>Reveals: MC-60</p> <p>Flashing: Flashing 60mm Steel</p> <p>Insulation: Low-E Max</p>	<p>Material: PVC</p> <p>Wind load: Medium</p> <p>WANZ Installation Method: WANZ support bar 40mm</p> <p>Notes:</p>
--	--